

8 Channel Passive Video Balun / Transceiver

Model: VPB800TRJ

Features:

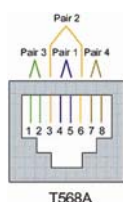
- Transmit a color video signal up to 400 m / 1200 ft and B/W video signal up to 600 m / 2000 ft.
- Passive; No power required.
- Eliminate coaxial cable.
- Built-in Filter: 0~6MHz
- Use RJ45 Jack or 8 screw type terminal to connect between units.



Front

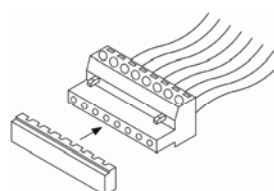


Rear



RJ45 Jack

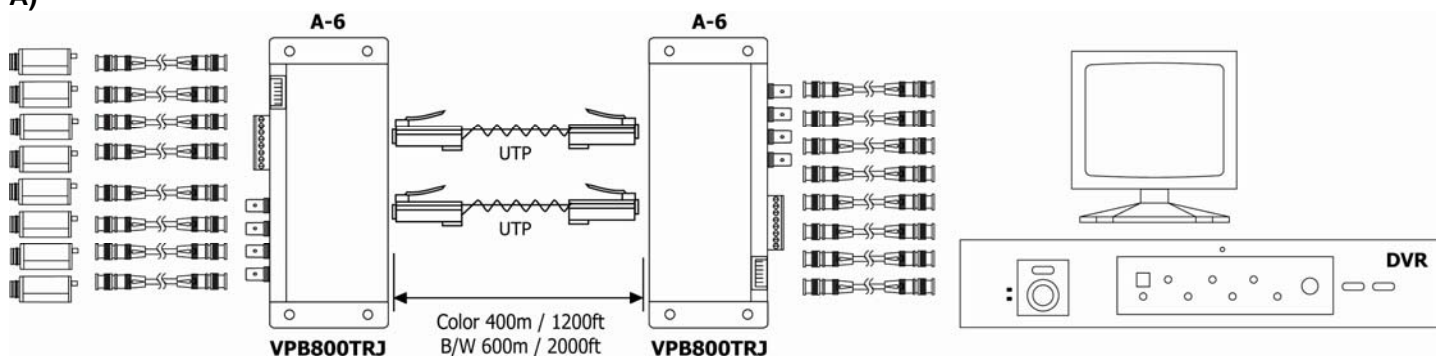
or



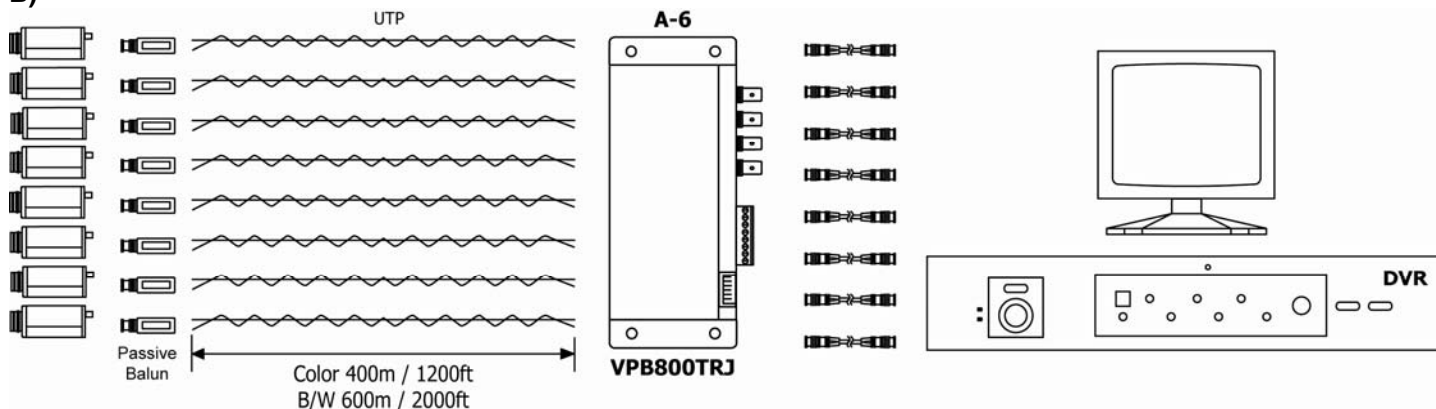
Removable Terminal Block

Application Diagram:

A)

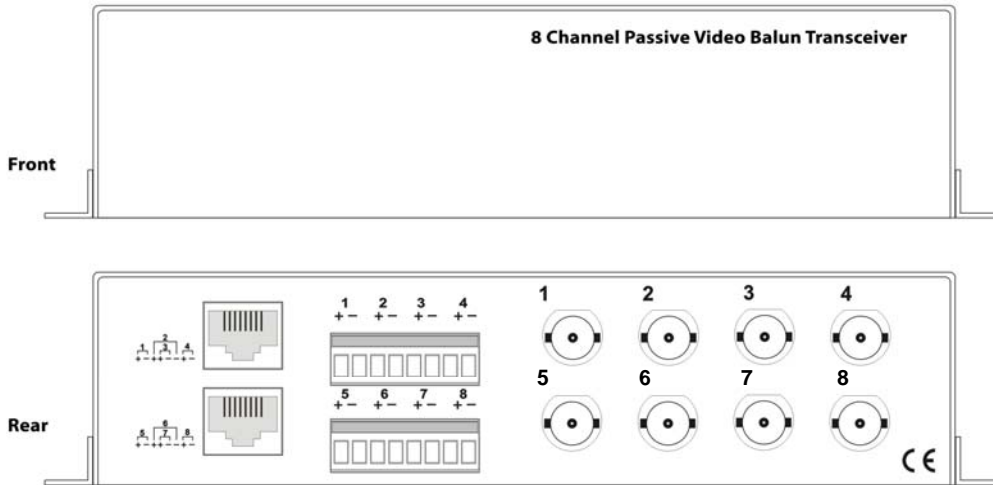


B)



Panel View:

UTP = Unshielded Twisted Pair



Specification:

Model		VPB800TRJ
Video Transmitting Properties	Supporting Video Mode	All Baseband Signals including PAL, NTSC, SECAM
	Balance Band	0-6MHz
	Maximum Transmission Distance	Color 400 m / 1200 ft ; B/W 600m / 2000 ft
	Interference Rejection	>60dB
Connection Properties	Video Output Connectors	8 Female BNC, Resistance 75 Ohms
	Connector for UTP Transmission	Screw Terminal Set and RJ45, Resistance 50 Ohms
Surge Protections	Video Output Protection	2kV (common mode), 10/700µs Standard: IEC61000-4-2
	Video Input Protection	2kV (different mode), 2kV (common mode) Standard: IEC61000-4-2
	Video Input Protection for Over Current	100mA
Stability	MTBF	>30,000 hours
Physical Properties	Dimensions L x W x H	180 x 105 x 44 mm / 7.09 x 4.13 x 1.73 inches
	Housing Material	Metal
	Color	Black
	Weight	580 g / 1.28 lbs
Environment	Operating Temperature	0°C ~ 50°C / 32°F ~ 122°F
	Relative Humidity	0~95%
	Storage Temperature	-40°C ~ 150°C / -40°F ~ 302°F

*Specifications are subject to change without notice

List of Components:

- One (1) 8-CH Passive Video Balun/Transceiver
- Two (2) Mounting Brackets
- Five (5) Mounting Screws
- Four (4) Rubber Feet
- One (1) User Manual

Caution :

- Do not connect this device to any power source.
- Do not handle the unit with wet hands.
- The unit is not waterproof and should not be used outdoors.

